

SAFETOR ROOF ANCHORS

... when your life is on the line!!

SAFETOR SE015-BP BRACING PLATE

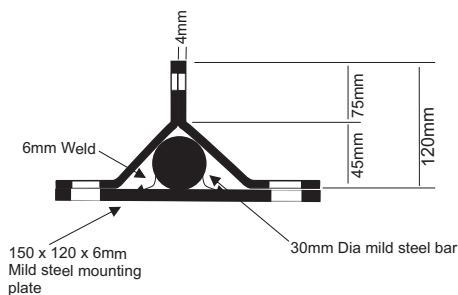
The Safetor SE015-BP bracing plate have been designed to suit either the SE015HP or SE002LP anchors for steel or timber bracing to be fitted for added strength to the anchor and structure.

The SE015-BP bracing plates work in two ways.

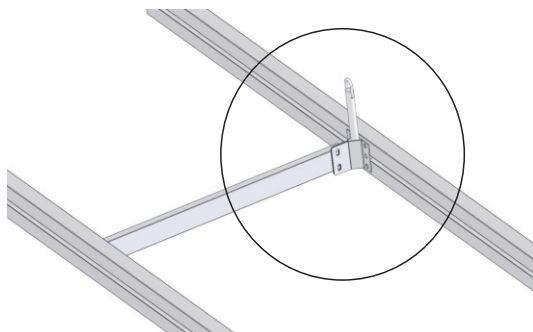
- 1: They able you to attach a bracing member from the anchor to the purlin below or above the purlin the anchor is attached to.
- 2: The two halves of the brackets form a triangle around the anchor stem giving a more solid 360° working area.

Either a steel purlin or double timber can be used when bracing between the anchor and the purlins.

A Structural Engineer should be consulted before installing any anchor points



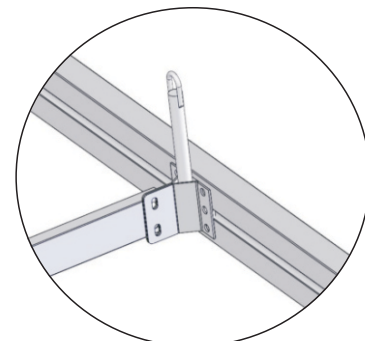
The SE015-BP bracing plate can be used on both timber and steel structures



Safetor SE015-BP Bracing Plate



A steel C section purlin can be placed between the Safetor SE015-BP bracing bracket and an adjustable bracing bracket.

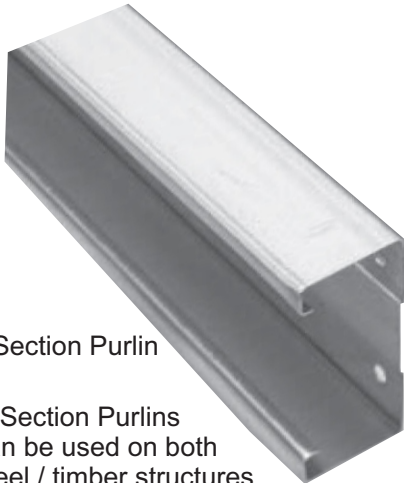


SAFETOR ROOF ANCHORS

... when your life is on the line!!

Bracing components

Both purlin and adjustable bracing bracket can be purchased from any purlin manufacture



C Section Purlin

C Section Purlins can be used on both steel / timber structures and is a cost affective bracing member



Adjustable Bracing Bracket

This adjustable bracing bracket can be purchased from the purlin manufacture along with the purlins



Safetor SE015-BP Bracing Plate

Bolts used to attach the anchors are M16mm Construction Bolts

The number of bolts used to attached the anchor to the structure can be 2 to 4 sets of bolts. All the timber testing to date on 4 x 2 framing has been using 2 x sets of bolts

NB:

The only time we recommend the use of 4 bolts is when the anchors are attached to C-Section light gauge steel purlins.

Safetor anchor points have been installed in this building using our bracing design system



Note: A PS1 from a Structural Engineer needs to be obtained before installing any height safety permanent Anchor point